



PRECISION IS  
OUR PRIORITY

M-1525-1 / M-2025-1

SINGLE SHAFT FIVE TOOLS  
PRECISION AUTO LATHE

**MING YANG**  
MACHINERY CO., LTD.

[www.mym.com.tw](http://www.mym.com.tw)



MYLAS



# SINGLE SHAFT FIVE TOOLS PRECISION AUTO LATHE M-1525-1 / M-2025-1



## THE SPINDLE

The Spindle is made of special steel which heat treated by carbon penetrated and grinded precisely. The integrated P4 level bearing provides better concentricity as well as avoiding lesser abrasion.



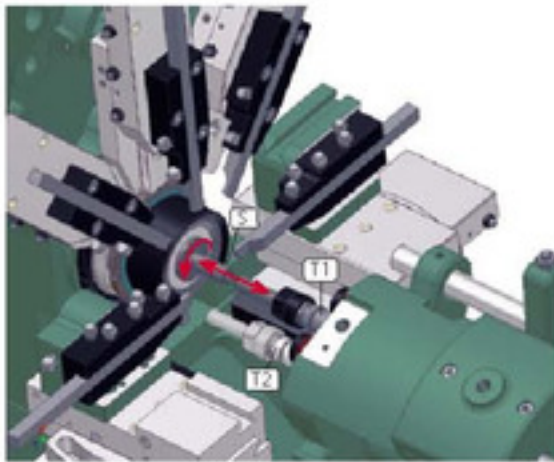
## THE CLUTCH

Our particular clutch can reach your requirement of machining and metal processing, not only drilling, tapping, but also speed meet your satisfaction. Our clutch has longer life-cycle, greater productivity, and lower replacement rate.



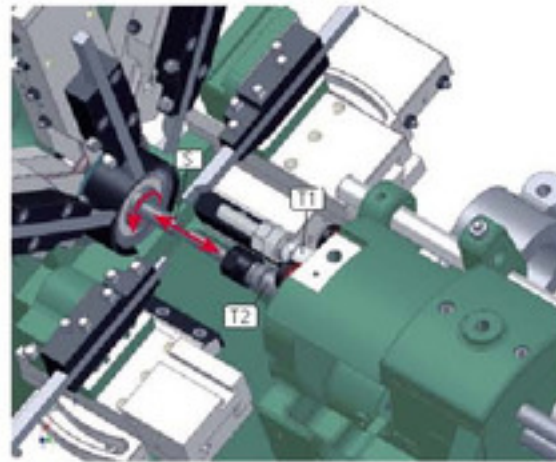
## THE OIL TANK

The Oil Tank comes with larger capacity volume, provides cooler cutting oil and longer tools durability. It also gives users to replace cooling oil and work-piece chips without difficulty.



### DUAL SHAFT - TAPPING SHAFT ATTACHMENT

The concentricity between tapping shaft and spindle is around 0.01mm.



### DUAL SHAFT - DRILLING SHAFT ATTACHMENT

The Concentricity between Drilling Shaft and Spindle can even reach 0.01mm.

The Dual Shaft Device adopts with magnetic clutch, driving tapping shaft, using gyration difference of the main shaft for same direction and high speed gyration to make tap processing. The shafts will sway and exchanged with each other, which drills deep hole and taps the thread simultaneously.



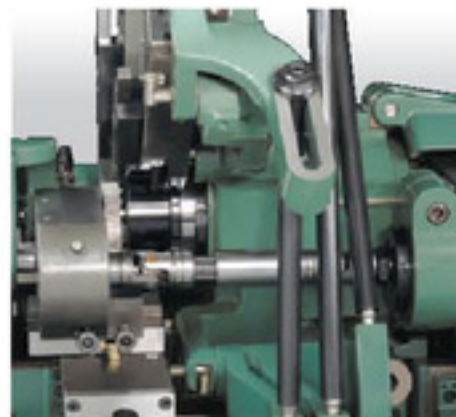
### WORKPIECES

Lathes developed by Ming Yang are able to machine all materials including aluminum, stainless steel, and other types of metal used by the 3C, motorcycle, automobile, bicycle, bath, electronics, general machinery and hardware industries etc. Ming Yang lathes are well suited and adaptable to any industry that produces precision parts.



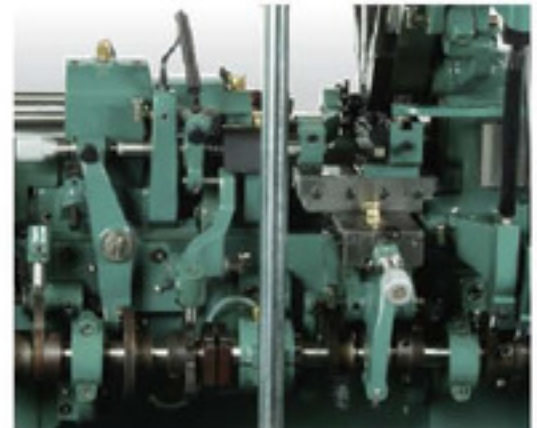
### THE TOOL HOLDERS AND THE SLIDERS

To reach higher accuracy, the machine comes with 5 tool holders with micro adjusting screws. The Sliders adopt higher grade of casting iron and the sliding surface has been heat treated, and precisely grinded.



### THREAD MILLING ATTACHMENT

This attachment is mounted on the fifth tool slider side which can provide thread milling function. All MingYang Auto lathe equipped with this attachment, granting with high accuracy and speed.



### CAM SET

The cam shaft is drove via main motor and rotated in clockwise, the rotation speed can be divided to 15 levels. The plate cam can be used for vertical turning and the clock cam can be used for horizontal machining. The cam set is supported by two central bearing which provide easier assembling.

## SPECIFICATIONS

Item	Unit	M-1525-1	M-2025-1
Number of Tool	pcs	5	5
Number of Tailshaft		2	2
Max Dia of Processing	mm	Round 15 Hexagon 13 Tetragon 10	Round 20 Hexagon 15 Tetragon 12
Accuracy of Dia	mm	±0.015	±0.015
Max Length of Processing	mm	35	35
Accuracy of Length	mm	±0.015	±0.015
Max Dia of Drilling	mm	Ø8	Ø8
Max Depth of Drilling	mm	30	30
Max Dia of Tapping		Cooper M10 x P1.25 Iron M8 x P1.0	Cooper M12 x P1.25 Iron M10 x P1.0
Mathspindle Speed	rpm	2400-8400 (60HZ)	1400-5800 (60HZ)
No. of Conversion of Mainshaft's Reversing Speed		5	5
Cam Shaft Speed	rpm	1.2 - 45.7	1 - 30
Main Motor		2HP 1.5KV	3HP 2.25KV
Machining Oil Pump Motor	HP	1/8	1/4
Height from Floor to Spindle Center	mm	1100	1100
Machine Dimensions	L x W x H	L1650 x W615 x H1560	L1650 x W615 x H1560
Measurement	L x W x H	L1650 x W850 x H1950 L1430 x W850 x H1950	L1650 x W850 x H1950 L1430 x W850 x H1950
Machine Weight	kg	670	670

### STANDARD

- Bar Feeding Rack
- Oil Splash Proof Cover
- Adjust Tool
- Tool Box
- Oil Cooling System

### OPTIONAL

- Threading Attachment
- Sound-Proof Feeding Pipe
- Long Shaft System
- Full-Guard Cover
- Various Speed Transmission Device



**MYLAS**

We turn, therefore we are.



**MING YANG MACHINERY CO., LTD.**



#### TAIWAN

No. 40, Tung-San Lane, Shing-Feng Shan  
Chung, Tang Shing Rd., Tantzui Shiang,  
Taichung County 42743, Taiwan  
Tel: 886-4-2537-7564  
Fax: 886-4-2537-7645  
E-mail: sales@mym.com.tw  
<http://www.mym.com.tw>

#### CHINA FACTORY

No. 1, Hai Feng Rd., Nan Feng Town,  
Chang Chia Kang City, Chiangsu  
Tel: 86-512-5862-4390  
Fax: 86-512-5862-4989  
E-mail: master@myjmjx.com  
<http://www.myjmjx.com>